

PRICE[®]

SUBMITTAL DRAWING

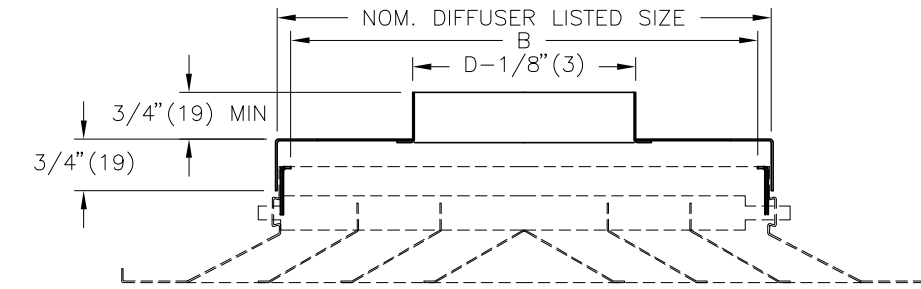


TMS  **JOHNSON**
Trusted Partner • Reliable Solutions

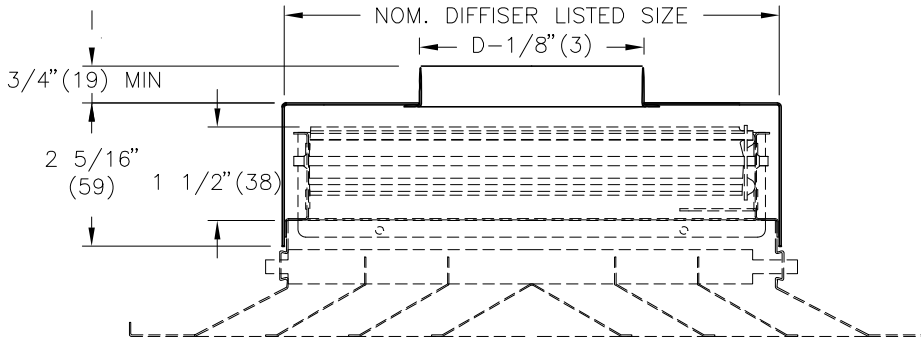
TMS Johnson, Inc. | 763-544-5442 | www.tmsj.com
Twin Cities: 2908 Nevada Ave N, New Hope, MN 55427
Rochester: 3270 19th St NW, Suite 210, Rochester, MN 55901

SR ROUND NECK ADAPTOR

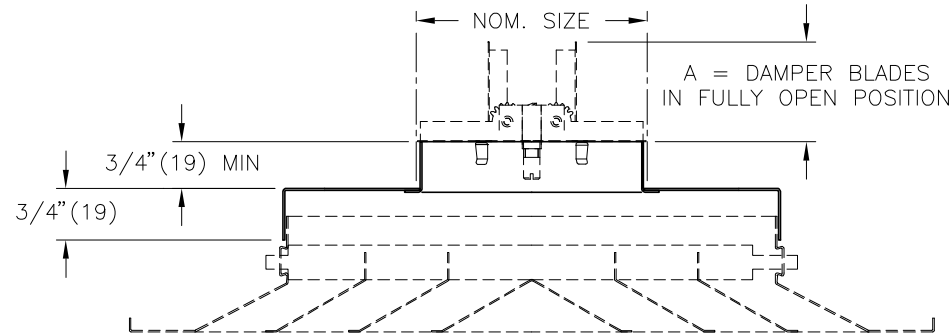
- SR
- SR9



- SR2
- SR3
- SR3AL



- SR8E



VCR9 DUCT SIZE	B
6	5 1/2 (140)
8	7 1/2 (191)
10	9 1/2 (241)
12	11 1/2 (292)
14	13 1/2 (343)

VCR8E DUCT SIZE	A
4	1 3/4 (44)
5	2 1/4 (57)
6	2 3/4 (70)
7	3 1/4 (82)
8	3 3/4 (95)
10	4 3/4 (120)
12	5 3/4 (146)
14	6 3/4 (171)
15	7 1/4 (184)

NOTES:

- SR 3/4" DEEP SQUARE TO ROUND ADAPTOR ONLY
- SR2 2 5/16" DEEP SQUARE TO ROUND ADAPTOR ONLY
- SR3 SQUARE TO ROUND ADAPTOR WITH COATED STEEL OPPOSED BLADE DAMPER
- SR3AL SQUARE TO ROUND ADAPTOR WITH ALUM OPPOSED BLADE DAMPER
- SR8E SQUARE TO ROUND ADAPTOR WITH STEEL BUTTERFLY VOLUME CONTROL DAMPER. DAMPERS ARE ONLY AVAILABLE IN DUCT SIZES 4 TO 15
- SR9 SQUARE TO ROUND ADAPTOR WITH RADIAL DAMPER ACCESSORY

MATERIAL:

- COATED STEEL

FINISH:

- MILL

• FACTORY TOLERANCE: ±1/32"(1)

Rd Inlet Size	Nom. Size
4,5,6	6 x 6
5,6,7,8	8 x 8
5,6,7,8,9	9 x 9
5,6,7,8,9,10	10 x 10
5,6,7,8,9,10,12	12 x 12
5,6,7,8,9,10,12,14	14 x 14
5,6,7,8,9,10,12,14,15	15 x 15
5,6,7,8,9,10,12,14,15,16	16 x 16
5,6,7,8,9,10,12,14,15,16,18	18 x 18
6	18 x 6
5,6,7,8,9,10,12,14,15,16,18,20	20 x 20
5,6,7,8,9,10,12,14,15,16,18,20,21	21 x 21
5,6,7,8,9,10,12,14,15,16,18,20,22	22 x 22
5,6,7,8,9,10	22 x 10
5,6,7,8,9,10,12,14,15,16,18,20,22,24	24 x 24

ALL METRIC DIMENSIONS () ARE SOFT CONVERTED. IMPERIAL DIMENSIONS ARE CONVERTED TO METRIC AND ROUNDED TO THE NEAREST MILLIMETER.

PROJECT:



ENGINEER:

RV

SR

CUSTOMER:

222044

ROUND NECK ADAPTOR

SUBMITTAL DATE:

SPEC. SYMBOL:

2010/02/11